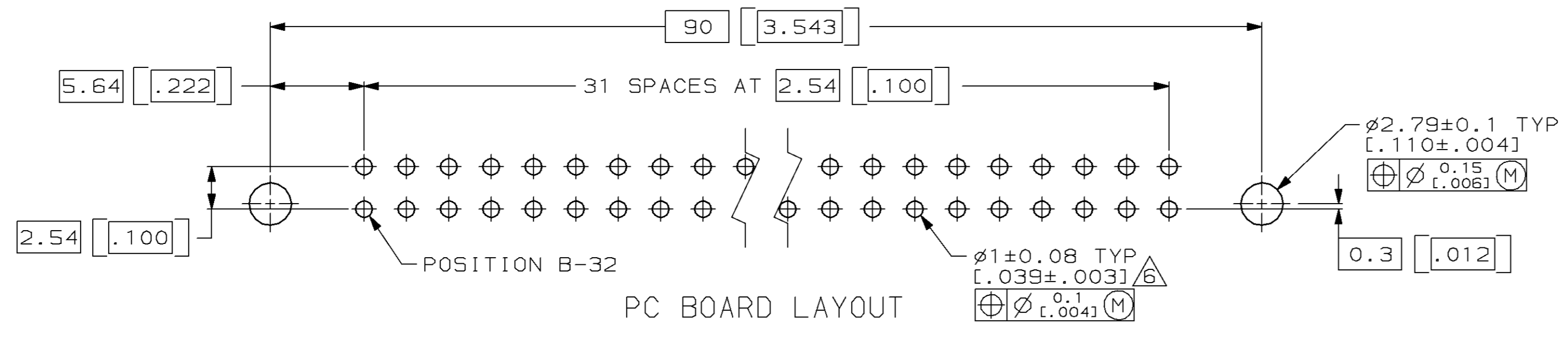
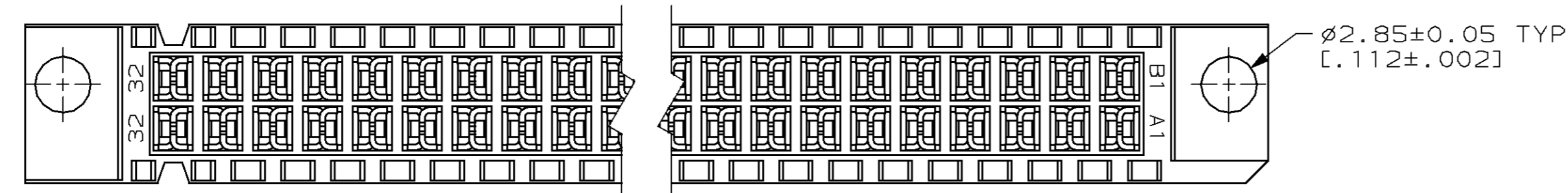
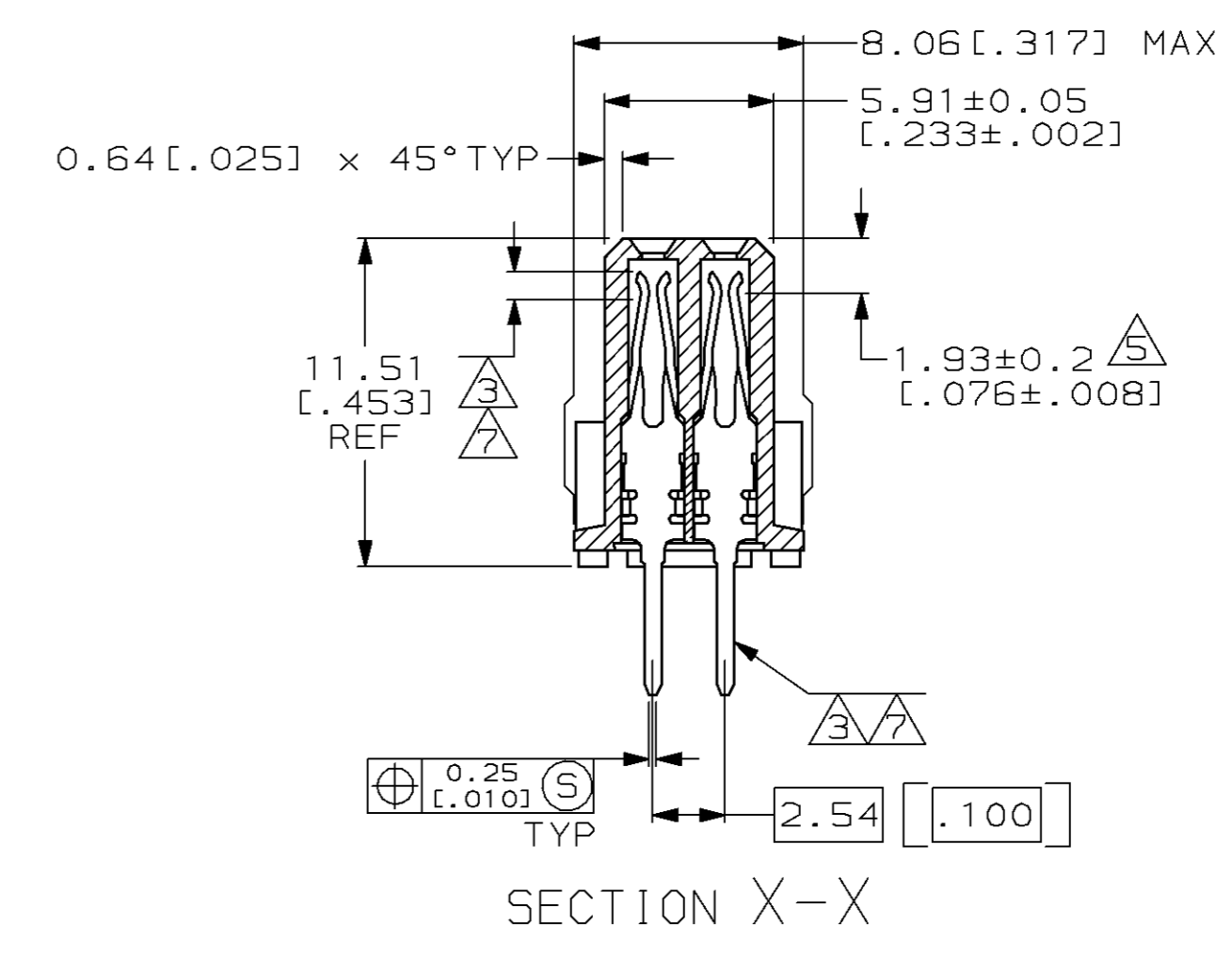
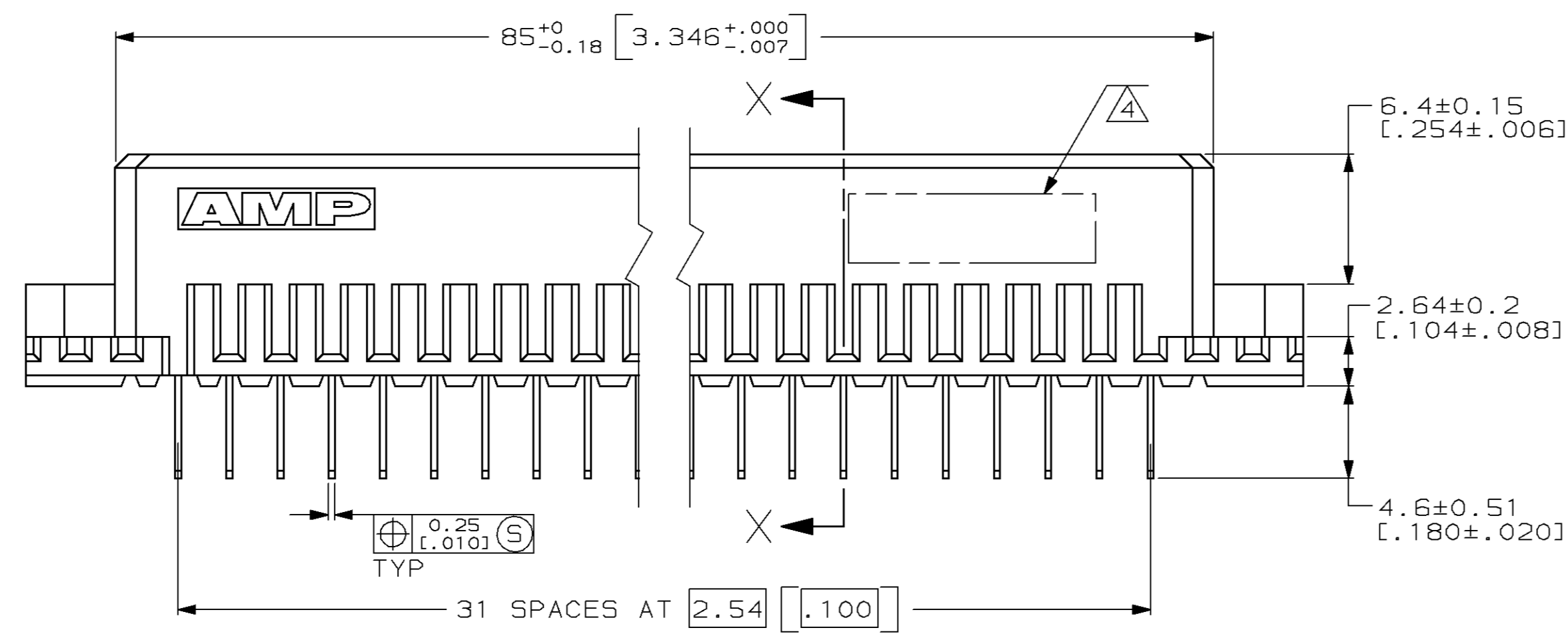
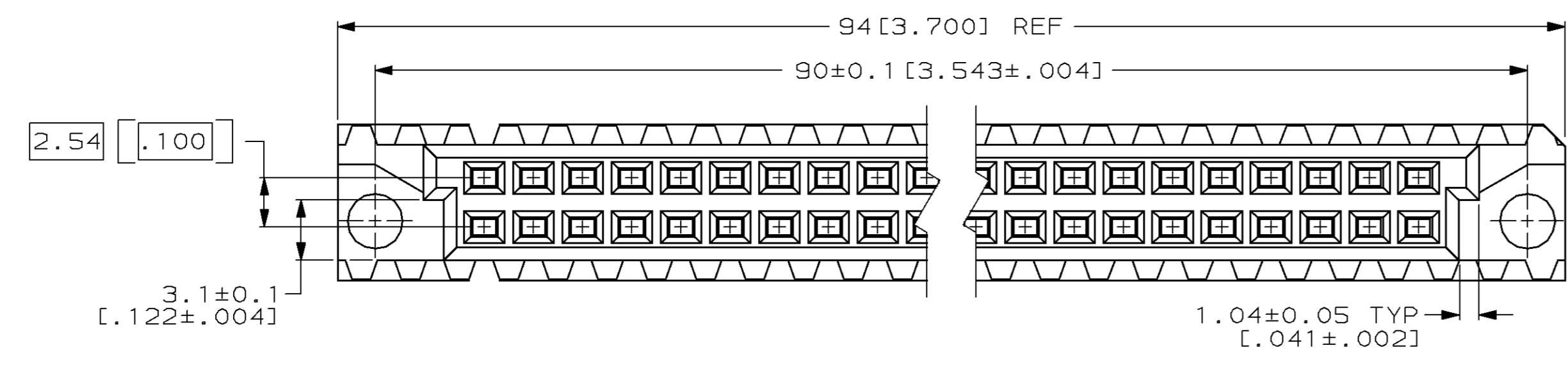


LOC		DIST		P		F		ZONE		LTR		REVISIONS		
AD	25											DESCRIPTION	DATE	APPD
												F EC 0010-0771-96	5/29/96	RAP



- ① HOUSING MATERIAL: GLASS-FILLED POLYESTER. COLOR: GRAY.
- ② CONTACT MATERIAL: PHOSPHOR BRONZE.
- ③ CONTACT FINISH: DIN 41612 CLASS 2 IN CONTACT AREA. NICKEL UNDERPLATE ALL OVER. TIN-LEAD ON POSTS.
- ④ PART NUMBER, DATE CODE IDENTIFICATION, CSA LOGO IN THIS APPROXIMATE AREA, ON REVERSE SIDE.
- ⑤ POINT OF MEASUREMENT FOR GOLD.
- ⑥ RECOMMENDED HOLE SIZE FOR MANUAL APPLICATION OF CONNECTOR ONTO PC BOARD.
- ⑦ CONTACT FINISH: DIN 41612 CLASS 3 IN CONTACT AREA. NICKEL UNDERPLATE ALL OVER. TIN-LEAD ON POSTS.

NOTE	POSITIONS LOADED	B	A	NO. OF LOADED POSITIONS	ASSY PART NUMBER
OBsolete	1 THRU 32	X	X	64	650861-9
	1 THRU 32	X	X	64	650861-5
	1 THRU 32	X	X	64	650861-4

DO NOT SCALE PRINT. UNLESS SPECIFIED DIMENSIONS IN mm [INCHES]. TOLERANCES ON:	DR L. BRINER 6/25/90	AMP INCORPORATED Harrisburg, Pa. 17105
1 PLC DEC ± -	CHK J. BROWN 7/24/90	
2 PLC DEC ± 0.13 [.005]	APPD J. BROWN 7/24/90	
ANGLES ± -	APPD J. BROWN 7/24/90	
MATERIAL	PRODUCT SPEC	NAME
HOUSING: ①		RECEPTACLE ASSEMBLY, EUROCARD, TYPE "B"
CONTACT: ②		
FINISH	APPLICATION SPEC	SIZE
CONTACT: ③⑦		D 00779
		FSCM NO
		00779
		DRAWING NO
		650861
		SCALE
		4:1
		SHEET
		1 OF 1

